

EXPANDING THE POSSIBILITIES OF YOUR PIVOT ASSEMBLIES

Machine pivots wear over time, and the heavier the operation, the faster the wear. Pivot wear can result in equipment breakdowns, causing downtime and production shortfalls. Repairs often require welding and line-boring – an expensive and temporary solution.

Expander System has the capacity to create the perfect pivot pin to fit your need, regardless of equipment or application. Our comprehensive designs include structural strength calculations with precise dimensioning and production of complete pivot systems.



The solution is effective and reliable, with documented success in many industries, including Construction & Bridge Building, Forestry & Agriculture, Mining & Quarrying, Manufacturing & Processing, Oil & Gas and Shipbuilding & Marine. The Expander System comes with an exclusive 10-year or 10,000 hours function warranty.



FROM THE WORLD'S FOREMOST PIVOT PIN EXPERT

- Pivot pin assemblies for repair of existing pivot wear or as components for new equipment
- In-house developed 3D engineering system ensures effective evaluation, design and production
- High speed production with manufacturing and delivery of complete pivot system from our standard range within 48 hours, ex works
- Enables on-site installation without welding and line-boring
- Expander Academy - quality training and education for design engineers, service and maintenance personnel
- Your single source for virtually any pivot design requirement
- 10-year or 10,000 hours function warranty



More information at:

www.expandersystem.com

NORD-LOCK GROUP

Nord-Lock International AB

Tel: +46 40 602 46 00

Email: info@nord-lock.com

Web: www.nord-lock.com

EXPANDER SYSTEM

Permanent solution to lug wear



English - Printed in Sweden - 2016-10 - 70237EN4

EXPANDER SYSTEM – THE PERMANENT SOLUTION

The Expander System offers an advanced, cost effective solution that prevents pivot wear, once and for all. With Expander System, the repair can be carried out directly in the worn mountings without welding and line-boring.

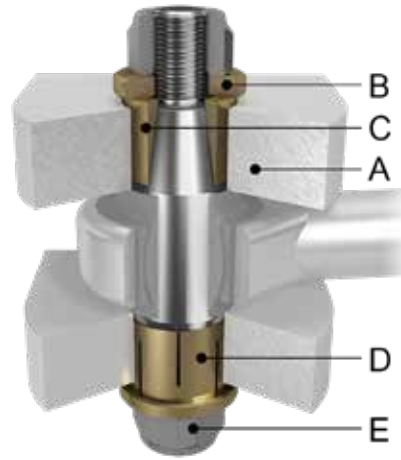
Our products have been field tested for over 50,000 hours without failure. Each System has been tested and approved for its specific application. With our proprietary Expander System Online for 3D engineering, evaluations and design of new applications can be done instantly.

The Expander System is available in sizes and versions for all types of pivots. More than 60,000 different Expander System solutions for over 10,000 types of machines have been developed. Our experience and knowledge allows us to offer custom made solutions even if the wear pattern is well beyond standard pin size.

*Conventional pin has axial locking only, but the **Expander System** consists of both radial and axial locking. This gives a stronger box construction to the whole machine pivot. The sleeves expand over both ends of the tapered axle and lock securely even in worn lug holes. If the hole has been worn oval the **Expander System** fills out the ovality and gives a secure solution without any preparatory machining.*



HOW EXPANDER SYSTEM WORKS?



- A. Expander System is installed directly into the existing mounting without expensive welding and line-boring
- B. Upon tightening the fasteners, the washer presses the slotted expansion sleeve up the tapered ends of the pin
- C. The sleeves expand, conform with the wear pattern and lock the system in the lug ears
- D. Once retorqued according to the instructions provided the system will lock from both sides and significantly increase stability
- E. Easy to remove and reinstall compared to regular straight pins

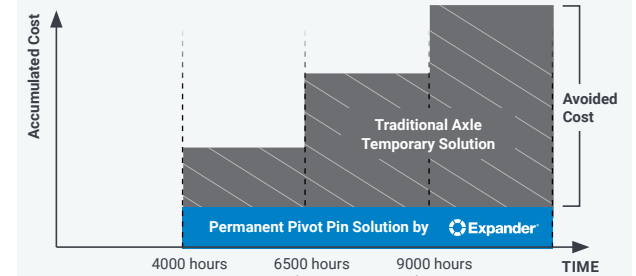


THE COMPONENT THAT BOOSTS VALUE AND COMPETITIVENESS

With the Expander System you are making a guaranteed and rewarding investment in a superior solution.

EXPANDER SYSTEM AS A SPARE PART

At the first repair, the Expander System already proves to be less costly than a traditional repair. Future problems and expensive repairs are eliminated.



EXPANDER SYSTEM AS AN ORIGINAL EQUIPMENT PART

The initial cost of Expander System might be slightly higher than a conventional pin, but it will be more cost effective in the long run.

